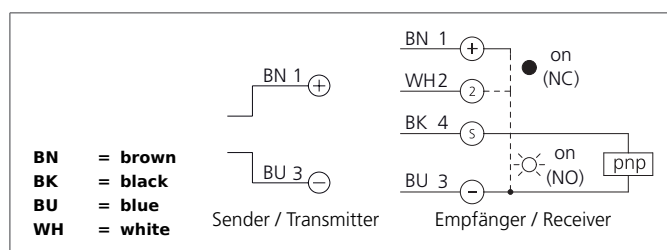


## OES 6-18 KR 8000 P3K-BSL

### Through Beam Sensor, Transmitter and Receiver

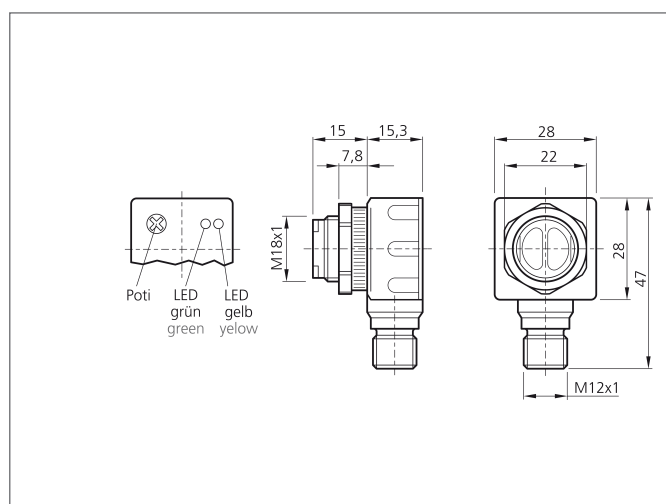
- Set consisting of transmitter and receiver
- Plastic housing
- Connector M12
- Infrared light
- Sensitivity adjustable
- LED indicator for output state



#### Safety instructions

The Instruments are not to be used for safety applications, in particular applications in which safety of persons depends on proper operation of the instruments.

These instruments shall exclusively be used by qualified personnel.



TECHNICAL INFORMATION (typ.)	+20°C, 24V DC
Operating principle	Through beam sensor
Evaluation	digital
Size	28 x 28 x 15.3 mm (Dimensions) M18 x 1 (thread)
Design	cuboid design
Emitted light	Infrared, 880 nm, clocked
Service voltage	10 ... 30 V DC
Internal power consumption	< 40 mA
Operating distance	0 ... 8.000 mm
Sensitivity adjustment	potentiometer
Switching output	pnp, 100 mA, NO/NC
Switching frequency	333 Hz
Response-/release time	1,5 ms / 1,5 ms
Ambient temperature	-25 ... +50 °C
Ambient light immunity	3 kLx, clocked light, > 10 kLx, Sunlight
Protection class	IP 66
Protection degree	III, operation on protective low voltage
Casing material	plastics
Material	polymethyl methacrylate (Window)
Connection	Connector, M12, 4-poled